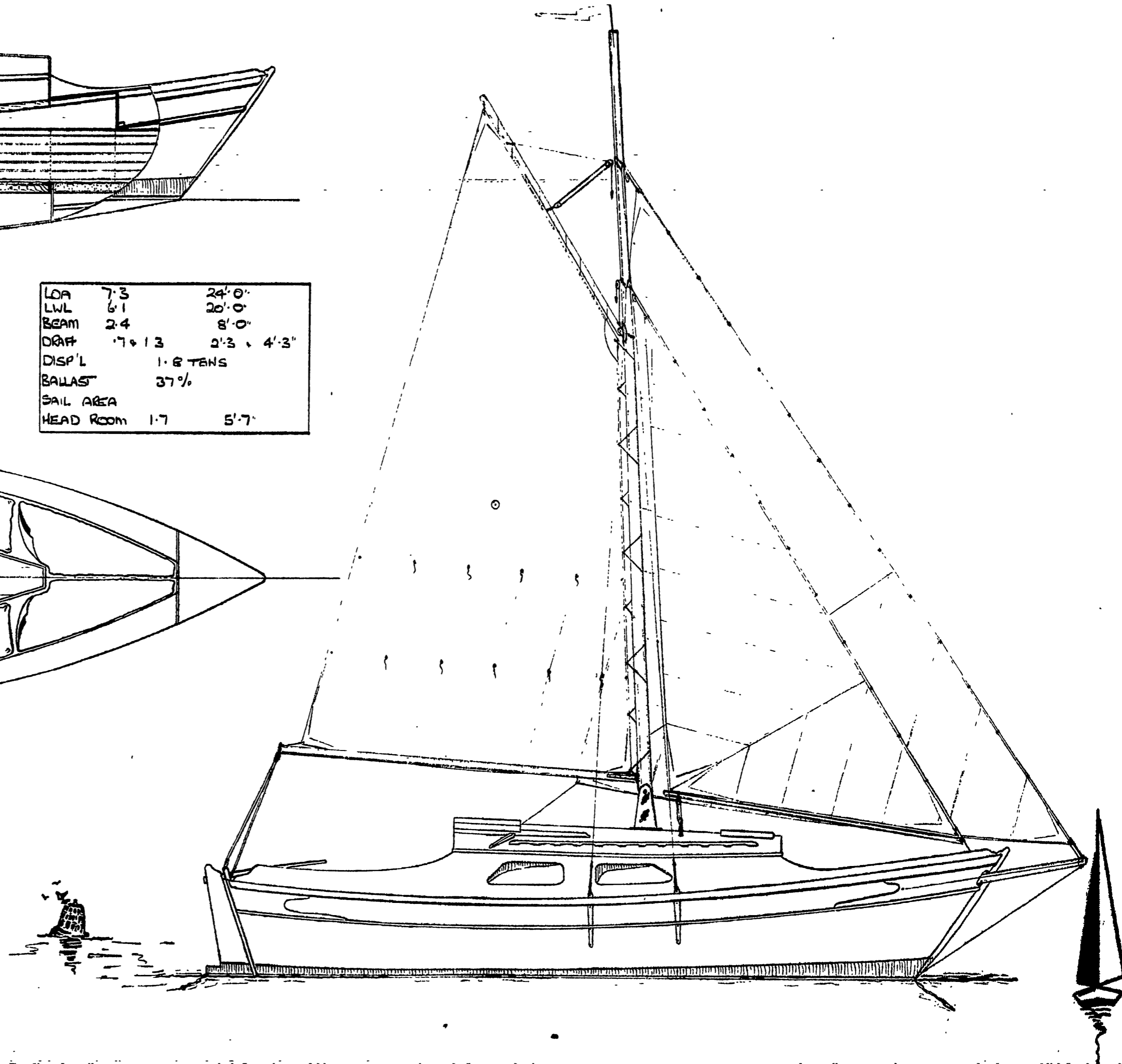
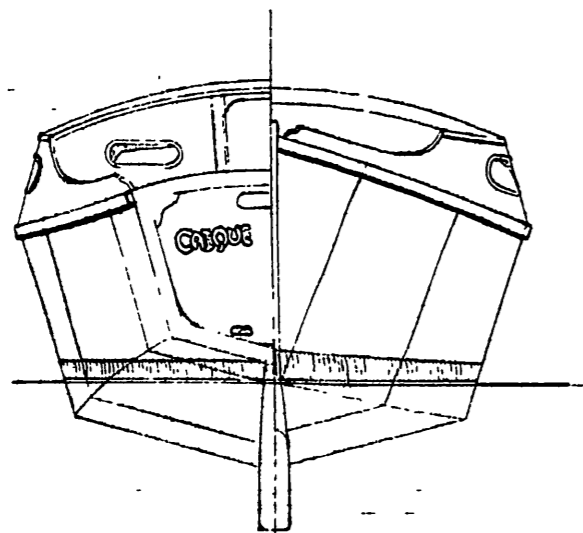
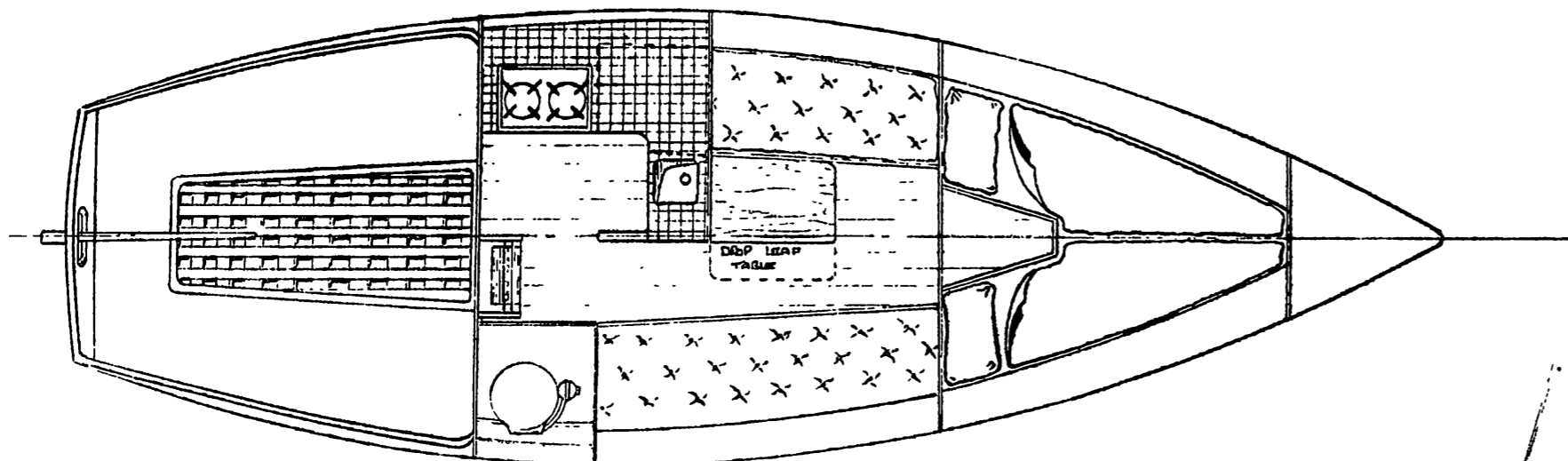


| | | |
|-----------|------|---------------|
| LOA | 7.3 | 24' 0" |
| LWL | 6.1 | 20' 0" |
| BEAM | 2.4 | 8' 0" |
| DRAFT | 7.13 | 2' 3" x 4' 3" |
| DISP'L | | 1.8 TONS |
| BALLAST | | 37% |
| SAIL AREA | | |
| HEAD ROOM | 1.7 | 5' 7" |



CAIQUE

| | | | |
|-------------------------|-----------------|---------------|---|
| Ganley Yachts Limited © | | | 2 |
| DRAWN BY TRACED | CHECKED DATE | SCALE 1:20 | |